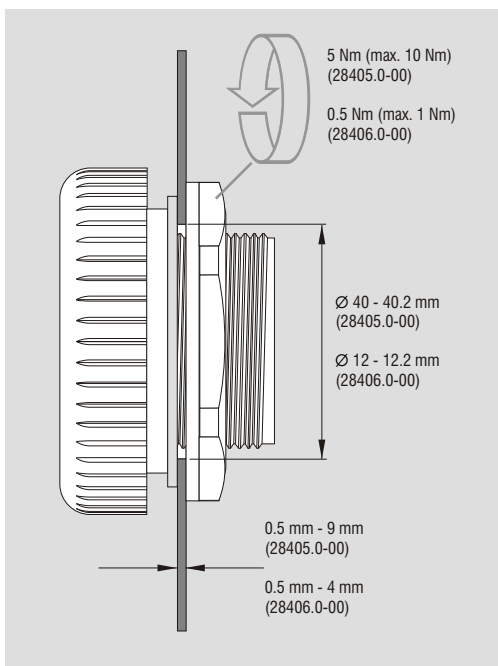


Mounting Instructions for DA 284



Tightening torque

Model DA 28405.0-00 (M40 x 1.5) ; 5 Nm (max. 10 Nm)

Model DA 28406.0-00 (M12 x 1.5) ; 0.5 Nm (max.1 Nm)

Dimension of the required hole in the enclosure

Diameter 40 - 40.2 mm for Model 28405.0-00 (M40 x 1.5)

Diameter 12 - 12.2 mm for Model 28406.0-00 (M12 x 1.5)

Environmental rating

Type 1 , 4 , 4X

Protection: IP66