



- Compact design**
- Fixed temperature setpoints**
- High switching capacity**
- DIN rail mountable**

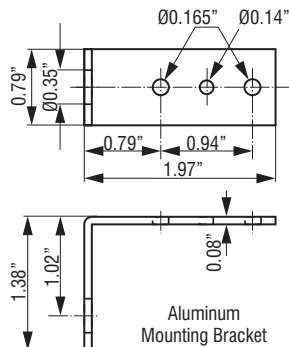
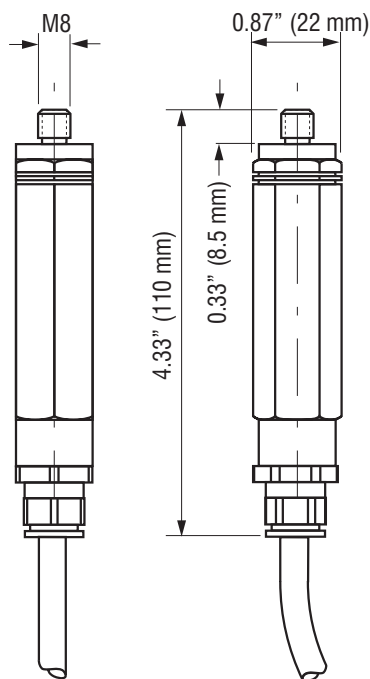
The design of the REx 011 thermostat ensures high accuracy, small switching difference (hysteresis) and a long service life.

Because of the high switching capacity of the thermostat, heaters can usually be directly connected and switched without the need for additional relays.



Technical Data

Explosion proof according to EN	LCIE (Laboratoire Central des Industries Electriques)
Conformity certificate	01 ATEX 6074/02, LCIE N°06 ATEX Q8011, IECEx LCI 07. 0021
Sensor element	thermostatic bimetal
Contact type	NC - normally closed (opens on temperature rise)
Service life	> 100,000 cycles
Max. switching capacity	4A resistive / 1A inductive @ 250VAC
Connection	Si HF - JZ 3 x AWG 18 (0.75mm ²), length 3.3 ft (1m)
Housing	aluminum, black anodized
Mounting	mounting bracket with M8 nut and clip for 35mm DIN rail
Mounting position	variable
Operating / Storage temperature	-49 to +158°F (-45 to +70°C)
Weight	approx. 7 oz. (200g)
Protection class	I (grounded)
Protection type	IP65



Part No.	Ex protection type	Switch-off temperature	Switching difference
01180.0-00	II 2 G D - EEx d IIC T6 IP6x T85°C	59°F ± 7°F tolerance (15°C ± 4K tolerance)	7°F ± 2°F tolerance (4K ± 1K tolerance)
01181.0-00	II 2 G D - EEx d IIC T6 IP6x T85°C	77°F ± 7°F tolerance (25°C ± 4K tolerance)	7°F ± 2°F tolerance (4K ± 1K tolerance)

Specifications are subject to change without notice. Suitability of this product for its intended use and any associated risks must be determined by the end customer/ buyer in its final application.