

Photo: Art. No. 01860.0-00



Photo: Art. No. 01861.0-00

- **Very low noise**
- **Minimal depth in enclosure**
- **High through-flow air volume**
- **High reliability**
- **Time-saving installation and mat exchange**

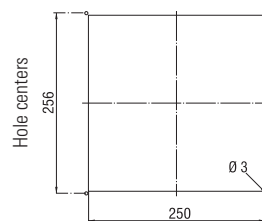
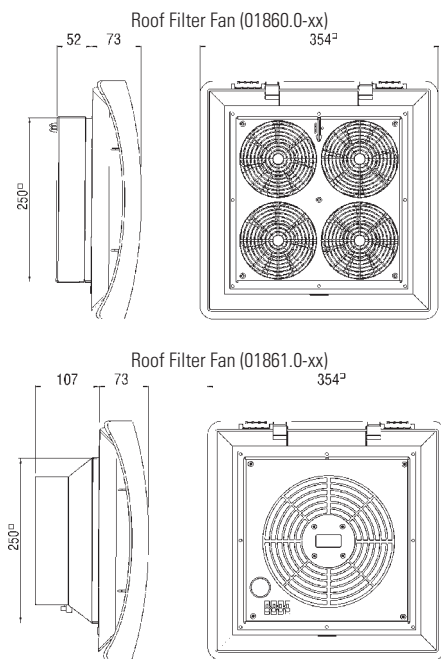
Roof filter fans find use in enclosures and housings, from which warm air has to be diverted to lower the internal temperature. These low-noise roof filter fans are used to expel warm air from within the enclosure which has been generated by the stray power of the components and so protects the internal devices from overheating. To exchange the filter mat the hood can be easily opened without tools. The roof exit filter provides passive ventilation.



### Technical Data

<b>Axial fans, ball bearing</b>	service life 50,000h at 25°C/77°F (65% RH) fan body aluminium, rotor plastic
<b>Connection</b>	3-pole clamp for 2.5mm <sup>2</sup> , clamping torque 0.8Nm max.
<b>Case</b>	plastic according to UL94 V-0, light grey; weather proof and UV light resistant according UL746C (f1)
<b>Filter mat</b>	G3 acc. to DIN EN 779, filtering degree 85%
<b>Filter material</b>	synthetic fibre with progressive construction, temperature resistant to 100°C, self-extinguishing class F1; moisture resistant to 100% RH, reusable - cleaning by washing or vacuuming
<b>Operating / Storage humidity</b>	max. 90% RH (non-condensing)
<b>Prot. type / Protection class</b>	IP32 / I (earthed)
<b>Approvals</b>	UL intended; (230V only: VDE)

**Important note:** For reasons of pressure compensation the roof filter fan must always be operated in combination with a passive intake filter (e.g. Art. No. 11803.0-00) or another filter fan (e.g. Art. No. 01803.0-00).



### Roof Filter Fan RFP 018 Series

Art. No.	Operating voltage	Air volume, free flow	Current consumption	Average noise level (DIN EN ISO 4871)	Depth in enclosure	Enclosure cut-out	Weight (approx.)	Operating / Storage temperature
01860.0-00	230VAC, 50Hz	300m <sup>3</sup> /h	68W	55dB (A)	52mm	250 x 250mm + 0.4	3.3kg	-10 to +70°C (+14 to +158°F) / -40 to +70°C (-40 to +158°F)
01861.0-00	230VAC, 50Hz	500m <sup>3</sup> /h	64W	67dB (A)	107mm	250 x 250mm + 0.4	2.6kg	-25 to +70°C (-13 to +158°F)
01860.0-02	120VAC, 60Hz	345m <sup>3</sup> /h	60W	55dB (A)	52mm	250 x 250mm + 0.4	3.3kg	-10 to +70°C (+14 to +158°F) / -40 to +70°C (-40 to +158°F)
01861.0-02	120VAC, 60Hz	575m <sup>3</sup> /h	85W	67dB (A)	107mm	250 x 250mm + 0.4	2.6kg	-25 to +70°C (-13 to +158°F)

### Roof Exit Filter REP 118 Series

Art. No.	Depth in enclosure	Enclosure cut-out	Weight (approx.)	Filter mat	Protection type
11860.0-00	11mm	250 x 250mm + 0.4	1.0kg	G3 acc. to DIN EN 779, filtering degree 85%	IP32

### Filter Mat FM 086

Filter mat	282 x 282mm
G3 (1 packing unit = 3 pcs.)	Art. No. 08613.0-01