

Small compact Thermostat KTO 011 / KTS 011 Series



- Large setting range
- Small size
- Simple to mount
- High switching performance

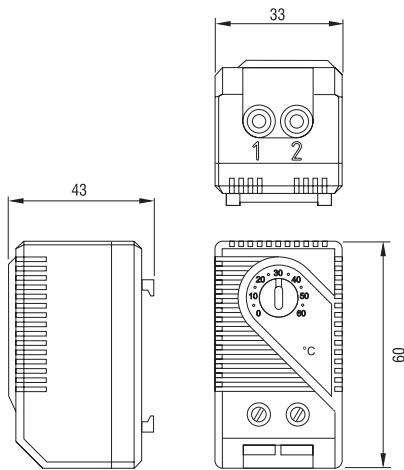
KTO 011: Thermostat (normally closed); contact breaker for regulating heaters.

KTS 011: Thermostat (normally open); contact maker for regulating of filter fans and heat exchangers or for switching signal devised when temperature limit has been exceeded.



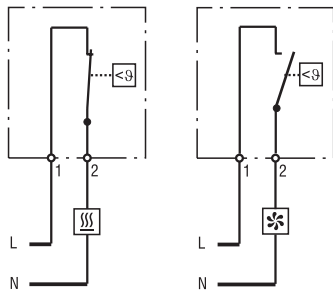
Technical Data

Switch temperature difference	7K (± 4K tolerance)
Sensor element	thermostatic bimetal
Contact type	snap-action contact
Service life	> 100,000 cycles
Max. switching capacity	250VAC, 10 (2) A 120VAC, 15 (2) A 30WDC at 24VDC to 72VDC
Max. inrush current	16AAC for 10 sec.
Connection	2-pole terminal, clamping torque 0.5Nm max.: rigid wire 2.5mm ² stranded wire (with wire end ferrule) 1.5mm ²
Mounting	clip for 35mm DIN rail, EN 60715 (or for exit filter EF 118 Series)
Casing	plastic according to UL94 V-0, light grey
Dimensions	60 x 33 x 43mm
Weight	approx. 40g
Fitting position	variable
Operating / Storage temperature	-45 to +80°C (-49 to +176°F)
Operating / Storage humidity	max. 90% RH (non-condensing)
Protection type	IP20

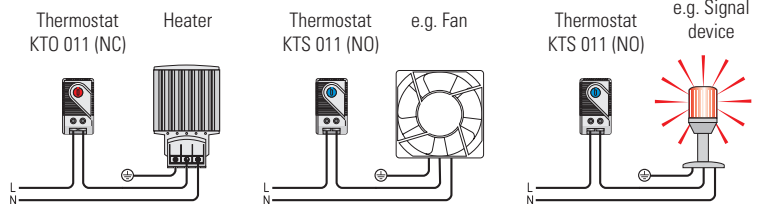
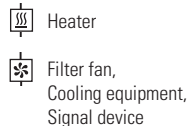


Thermostat KTO 011 (NC)

Thermostat KTS 011 (NO)



Connection diagrams



Examples of connection

Setting range	Art. No. Contact Breaker (NC)	Art. No. Contact Maker (NO)	Approvals
0 to +60°C	01140.0-00	01141.0-00	VDE
-10 to +50°C	01142.0-00	01143.0-00	VDE + UL File No. E164102
+20 to +80°C	01159.0-00	01158.0-00	VDE + UL File No. E164102
+32 to +140°F	01140.9-00	01141.9-00	VDE + UL File No. E164102
+14 to +122°F	01142.9-00	01143.9-00	VDE + UL File No. E164102
0 to +60°C	01146.9-00	01147.9-00	VDE + UL File No. E164102