

- **Small size**
- **Default temperature settings**
- **Easy to install**
- **High switching tolerance**



### Tamper-proof (Pre-set) Thermostat FTO 011

Contact breaker / NC (red casing) for regulating heaters or for switching signal devices when temperature has fallen below the minimum value. The contact opens when temperature is rising.

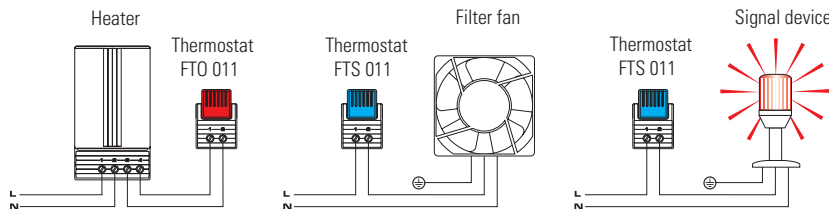
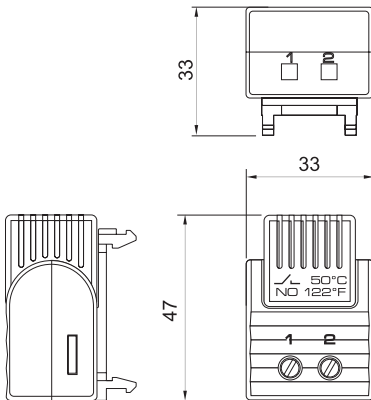
### Tamper-proof (Pre-set) Thermostat FTS 011

Contact maker / NO (blue casing) for regulating filter fans, heat exchangers, cooling devices or for switching signal devices when temperature limit has been exceeded. The contact closes when temperature is rising.



### Technical Data

<b>Sensor element</b>	thermostatic bimetal
<b>Contact type</b>	snap-action contact
<b>Service life</b>	> 100,000 cycles
<b>Max. switching capacity</b>	250VAC, 5 (1.6) A 120VAC, 10 (2) A 30WDC
<b>Max. inrush current</b>	16AAC for 10 sec.
<b>Connection</b>	2-pole terminal for 2.5mm <sup>2</sup> , torque 0.8Nm max.
<b>Mounting</b>	clip for 35mm DIN rail, EN 60715
<b>Casing</b>	plastic according to UL94 V-0, light grey
<b>Dimensions</b>	47 x 33 x 33mm
<b>Weight</b>	approx. 30g
<b>Fitting position</b>	variable
<b>Operating / Storage temperature</b>	-40 to +80°C (-40 to +176°F) / -45 to +80°C (-49 to +176°F)
<b>Operating / Storage humidity</b>	max. 90% RH (non-condensing)
<b>Protection type</b>	IP20
<b>Approvals</b>	VDE + UL File No. E164102



Examples of connection

Art. No.	Contact	Switch-off temperature	Switch-on temperature
01160.0-00	Contact breaker (NC)	+15°C / +59°F (± 5K tolerance)	+5°C / +41°F (± 5K tolerance)
01160.0-01	Contact breaker (NC)	+25°C / +77°F (± 5K tolerance)	+15°C / +59°F (± 5K tolerance)
		Switch-on temperature	Switch-off temperature
01161.0-00	Contact maker (NO)	+50°C / +122°F (± 6K tolerance)	+40°C / +104°F (± 7K tolerance)
01161.0-01	Contact maker (NO)	+60°C / +140°F (± 6K tolerance)	+50°C / +122°F (± 7K tolerance)
01161.0-02	Contact maker (NO)	+35°C / +95°F (± 6K tolerance)	+25°C / +77°F (± 7K tolerance)