



- Large convection surface
- Clip fixing
- Ready for use
- Maintenance free

Compact convection heater for use in areas with explosion hazard for prevention of formation of condensation, temperature fluctuations and for protection against frost in transmitter housings, switch cabinets and measuring equipment.

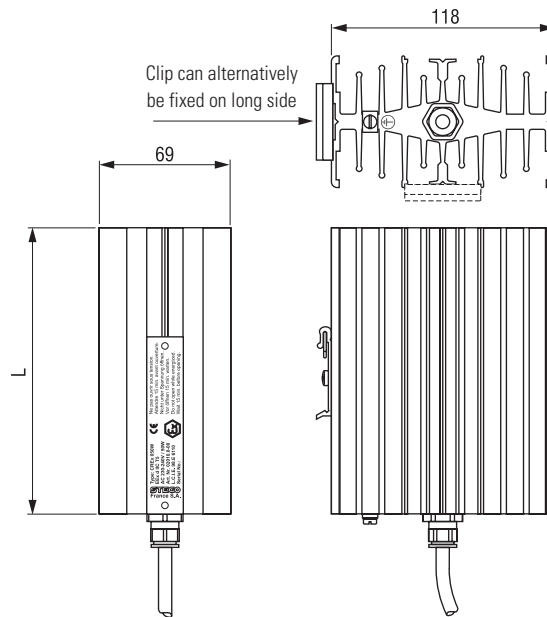


Technical Data

Explosion protection according to EN	LCIE (Laboratoire Central des Industries Electriques)
Conformity certificate	01 ATEX 6073/03, LCIE N° 06 ATEX Q8011, IECEx LCI 07. 0020
Heating element	high performance cartridge
Heater body	aluminium profile, black anodised
Connection	Si HF-JZ 3 x 0.75mm ² cable, length 1m
Connection PE	4mm ²
Mounting	clip for 35mm DIN rail, EN 60715
Fitting position	vertical airflow (connection on bottom)
Operating / Storage temperature	-40 to +40°C (-40 to +104°F) / -45 to +70°C (-49 to +158°F)
Protection type / Protection class	IP65 / I (earthed)



Hazardous area Thermostat REx 011
see page 41



Art. No.	Operating voltage	Heating capacity	Pre-fuse T (time-delay)	Ex protection type	Surface temperature	Length (L)	Weight (approx.)
02010.0-00	230-240VAC	50W	0.5A	Ex d IIC T5 - Ex tD A21 IP6X T100°C	100°C	150mm	1.3kg
02011.0-00	230-240VAC	100W	1A	Ex d IIC T4 - Ex tD A21 IP6X T135°C	135°C	180mm	1.5kg
02010.0-01	110-120VAC	50W	0.5A	Ex d IIC T5 - Ex tD A21 IP6X T100°C	100°C	150mm	1.3kg
02011.0-01	110-120VAC	100W	1.25A	Ex d IIC T4 - Ex tD A21 IP6X T135°C	135°C	180mm	1.5kg